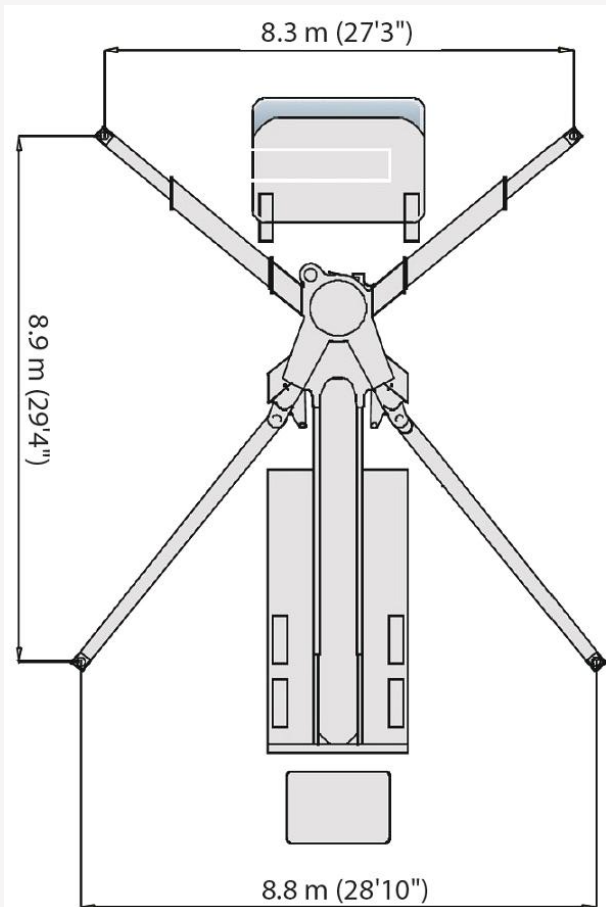


CHASSIS

MAKE/MODEL	FRONT AXLE	REAR AXLE	OVERALL LENGTH	TOTAL WEIGHT
LARGE CONVENTIONAL	19,400 lbs	57,800 lbs	43'6" 13.25m	77,200 lbs
CAB OVER	37,200 lbs	39,700 lbs	40' 12.2m	76,900 lbs

DIAGRAMS

OUTRIGGER EXTENSION



BOOM PUMP REACH

