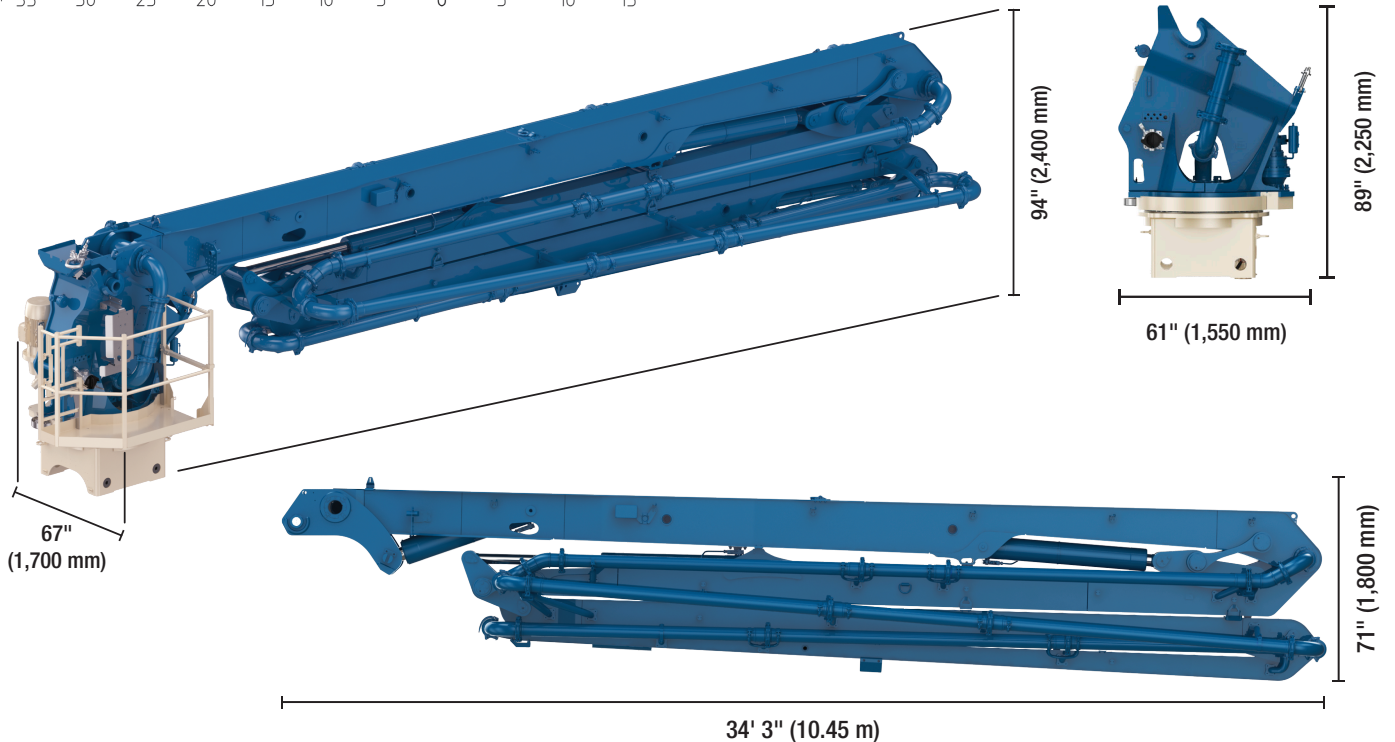


MX 35/39Z Specifications

Reach / Boom		
Boom Design	Multi-Z	
Horizontal Reach	113' 6"	(34.6m)
Vertical Reach*	112' 6"	(34.3m)
Reach Depth*	91' 10"	(28.0m)
Stowed Boom Length	34' 3"	(10.45m)
Boom Sections		
1st section	29' 6"	(9.7m)
2nd section	26' 7"	(8.1m)
3rd section	26' 11"	(8.2m)
4th section	27' 3"	(8.3m)
Boom Articulation		
1st section	90°	
2nd section	180°	
3rd section	245°	
4th section	230°	
General Specifications		
Rotation	365°	
Pipeline Diameter	5"	(125mm)
Weights		
Boom Weight	12,566 lbs	(5,700kg)
Pedestal Weight	5,512 lbs	(2,500kg)
Total Approximate Weight	18,078 lbs	(8,200kg)

* Measured from bottom of pedestal for MX booms.





Putzmeister



MX 35/39Z Placing Boom

More flexibility. More convenience. Lower operating costs.

Save space and time at the highest level

Developed innovation from the bottom to the boom tip

The MX 35/39Z Placing Boom from Putzmeister combines flexibility, operator convenience, and low operating costs. This is down to the innovative hinge design with quick disconnect system, which ensures simple and fast assembly and disassembly.

The best in assembly, handling, and service

The MX 35/39Z boasts sophisticated features, including a lighted boom tip, local controls, and the intelligent Ergonic® 2.0 radio remote control. The working platform allows safe access to all assembly, operating, and service points. It also includes dedicated storage space for tools and crane gear.

ergonic[®]
inside

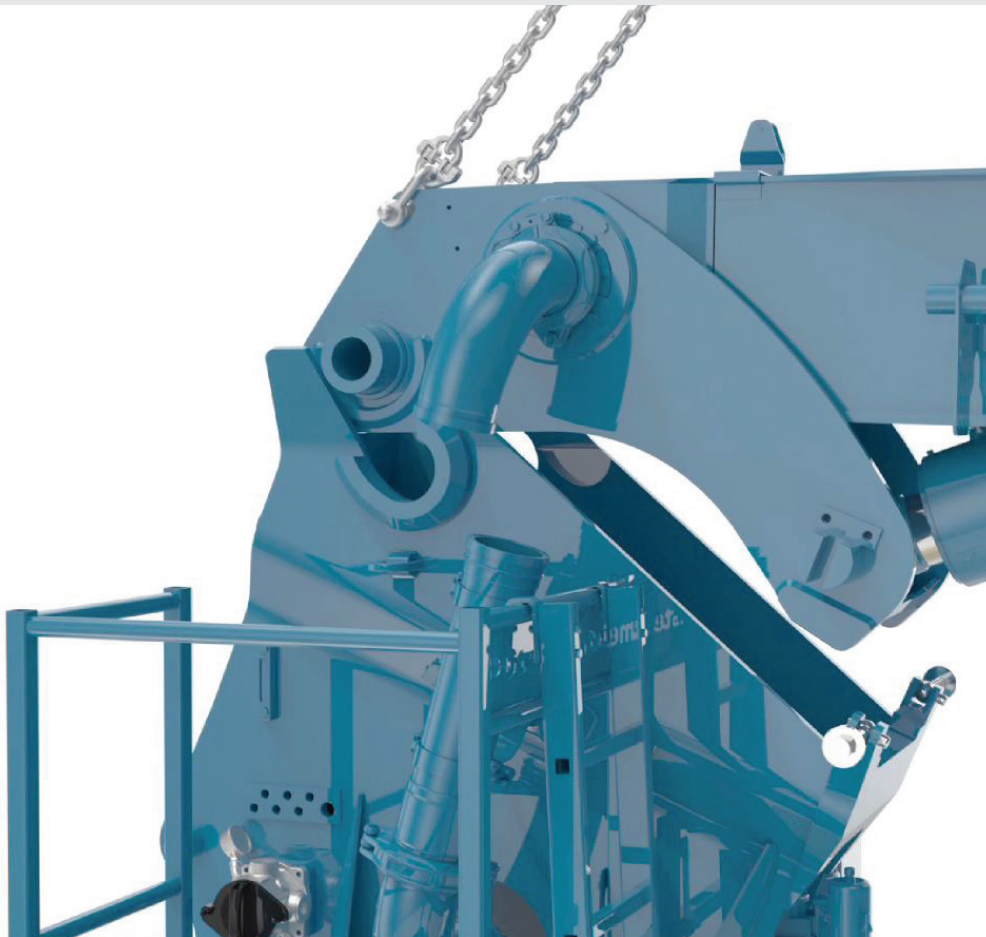


MX quick disconnect system: forward-thinking installation

The innovative hinge technology of the MX quick disconnection system ensures simple and time-saving assembly. The boom easily detaches from its pedestal and is inserted into the boom pedestal by the job site crane. It is securely fastened to the working platform with two clamping screws.

Optimal operational balance

The MX 35/39Z works from a freestanding position of more than 60 ft (18 m) without counterweight.

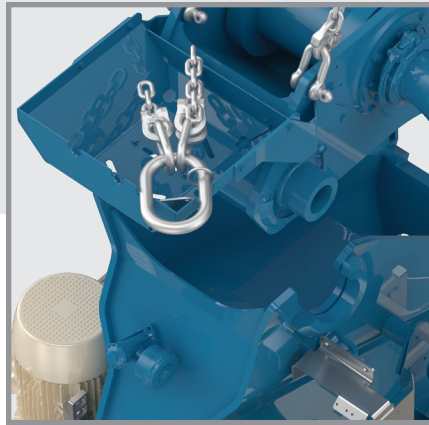
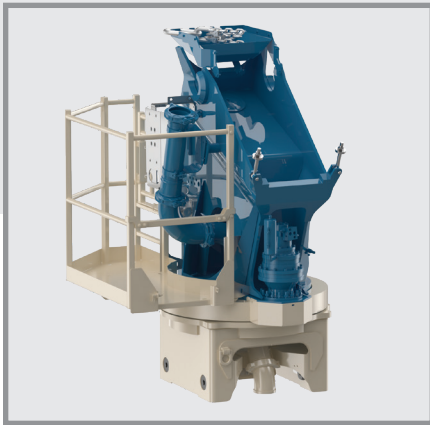


A boom pedestal that revolves around safety and efficiency

The MX 35/39Z boom pedestal has powerful and compact planetary gearing, which is both efficient and eco-friendly. All rotating head components — including the electrical control cabinet and oil tank — rotate with the pedestal and are within the operator's view at all times. This removes the hazard of stationary obstacles within operating range.

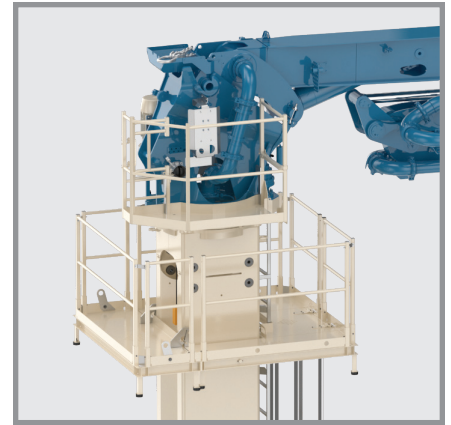
Excellent hydraulics for excellent handling

The mast responds quickly to the operator's joystick commands, and the boom is cushioned to ensure smooth movements. The horizontally installed oil filter's location provides a simple and clean replacement process.



A platform for safe, time-saving operations

Everything is in its right place on the MX 35/39Z platform. Both the large and small working platforms offer sufficient freedom of movement for service and maintenance, as well as easy access to all operating and assembly points. These platforms are designed to allow the placing boom to rotate around 365°, even with a negative inclination of -2°.



FFS Ergonic® 2.0 — the finest operation

The cleverly designed Ergonic® 2.0 remote control is easy to hold and easy to read with a high-resolution color display. A long-life rechargeable battery delivers extended runtimes, with cabled operation also possible. Status displays are provided with symbols, which are backlit via LED lights for low-lighting conditions. In addition, the sealed design withstands the harshest weather conditions.

Remote assistance

With Work 2.0, the swivel range can be limited via the “teach function”. Changeover from climbing to boom function can also be done remotely.

All the benefits at a glance

- 5" (125 mm) pipeline
- Convenient operation via Ergonic® 2.0
- MX quick disconnect point for easy assembly and disassembly of the boom
- Connects to the RS 850 column placing system
- Easy access to all assembly and operating points

More options for more convenience

- End hose squeeze valve (EQV)
- Ergonic® Boom Control (EBC) for vibration damping and single-handed control
- Oil tank heating
- Central lubrication for maximum service life without additional maintenance
- Lighting on the boom tip