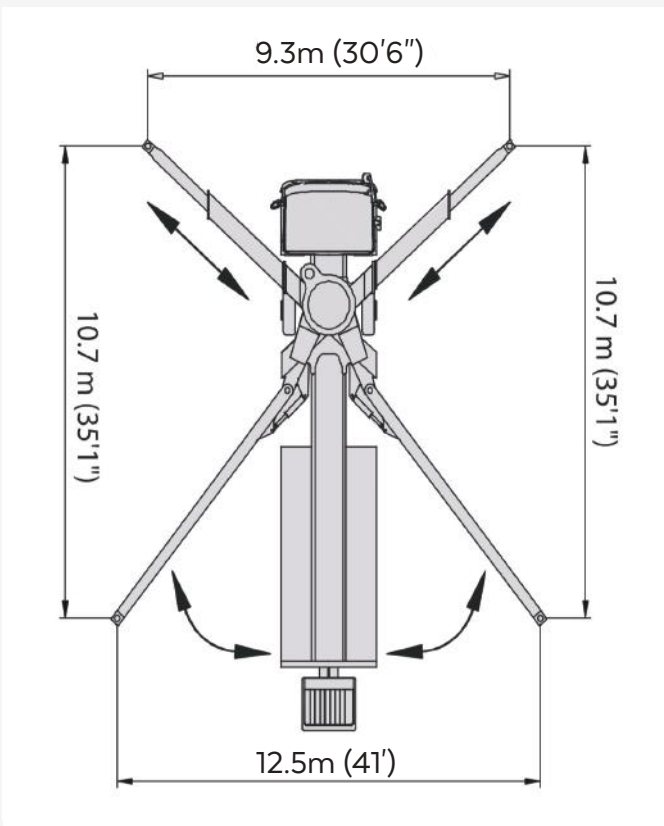


CHASSIS

MAKE/MODEL	FRONT AXLE	REAR AXLE	OVERALL LENGTH	TOTAL WEIGHT
CAB OVER	52,800 lbs	49,200 lbs	46'10" / 14.3m	102,000 lbs
LARGE CONVENTIONAL	46,350 lbs	54,750 lbs	50'2" / 15.3m	101,100 lbs

DIAGRAMS

OUTRIGGER EXTENSION



BOOM PUMP REACH

