

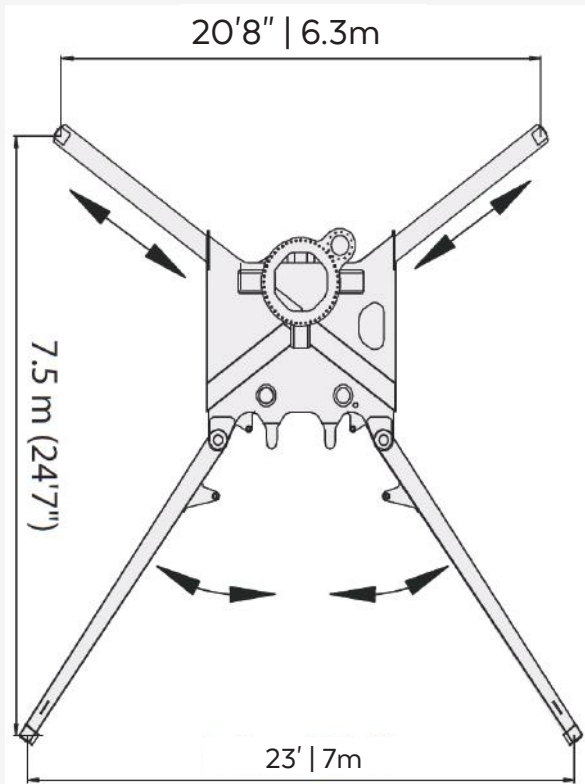


# CHASSIS

MAKE/MODEL	FRONT AXLE	REAR AXLE	OVERALL LENGTH	TOTAL WEIGHT
<b>SMALL CONVENTIONAL</b>	16,800 lbs	38,900 lbs	40'6" / 12.3m	55,700 lbs
<b>LARGE CONVENTIONAL</b>	18,150 lbs	39,450 lbs	41'5" / 12.6m	57,600 lbs
<b>CAB OVER</b>	19,900 lbs	37,350 lbs	38'5" / 11.7m	57,250 lbs

# DIAGRAMS

## OUTRIGGER EXTENSION



## BOOM PUMP REACH

